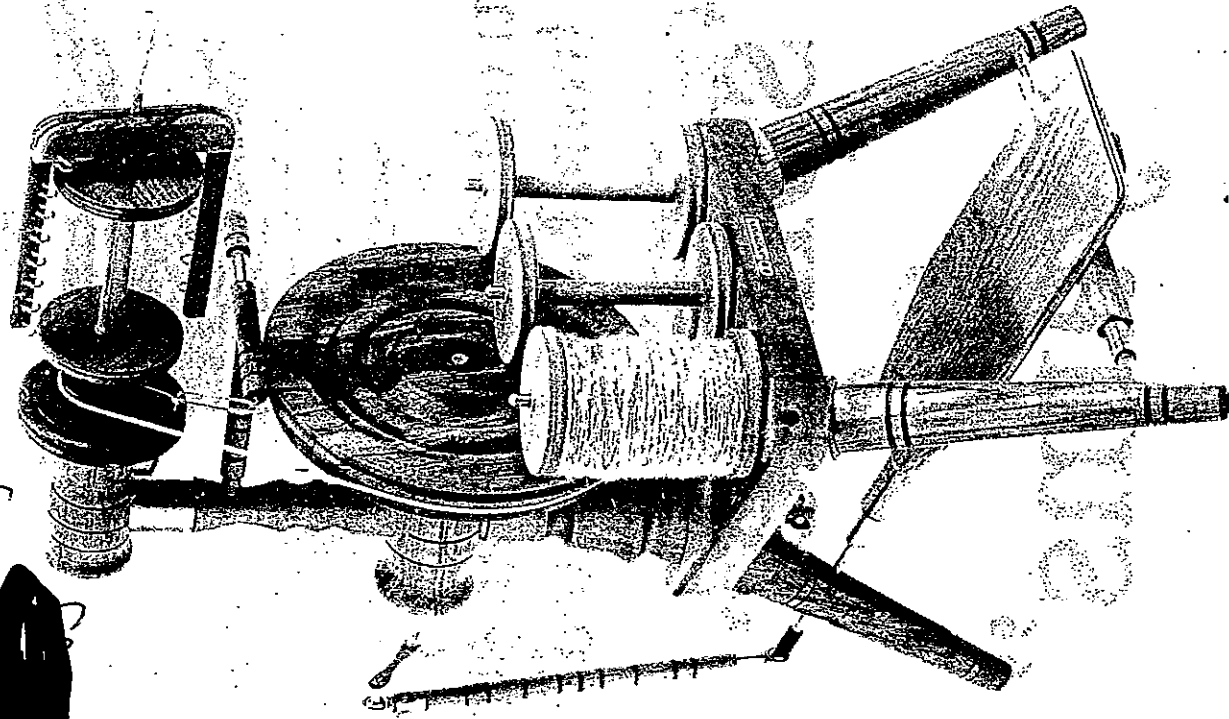




Peacock Spinning Wheel

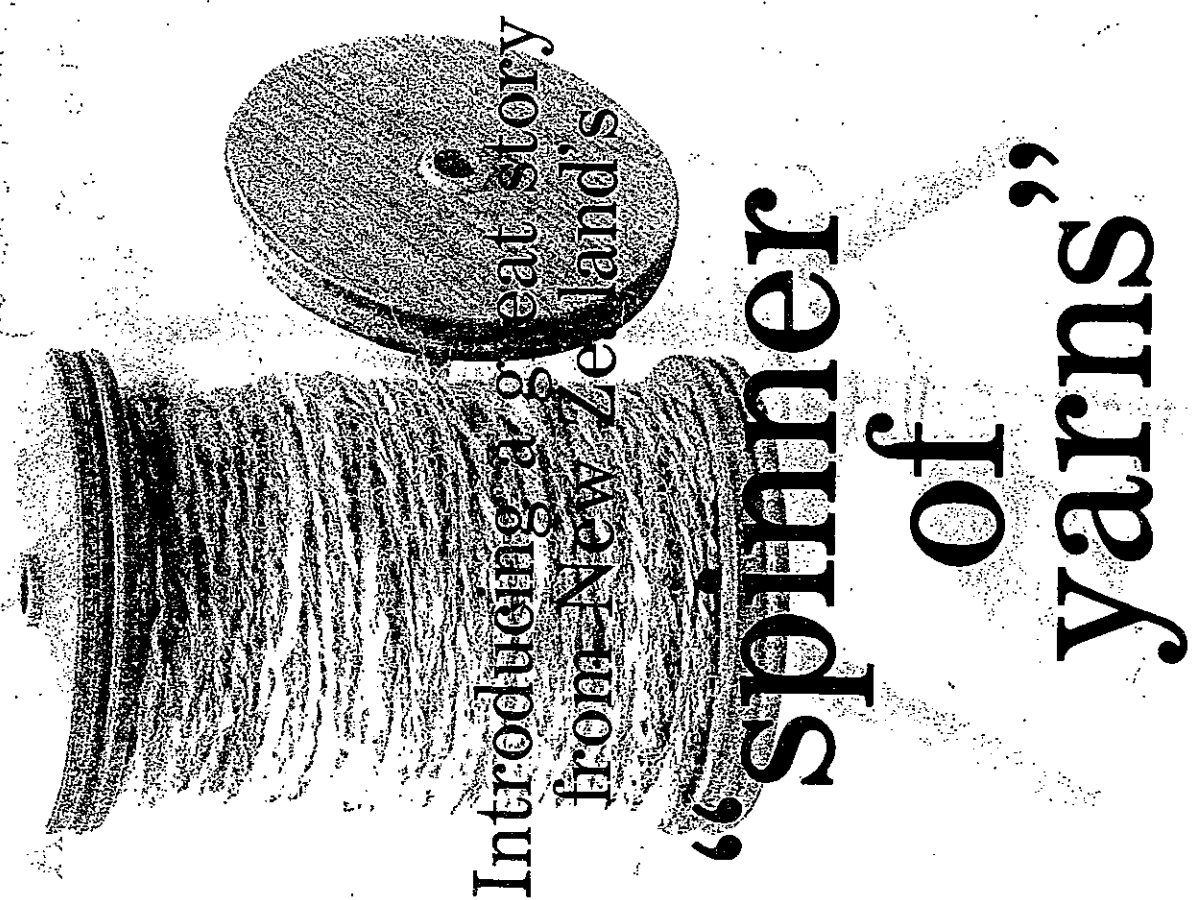
A revolutionary new Spinning Wheel
... and here's why!



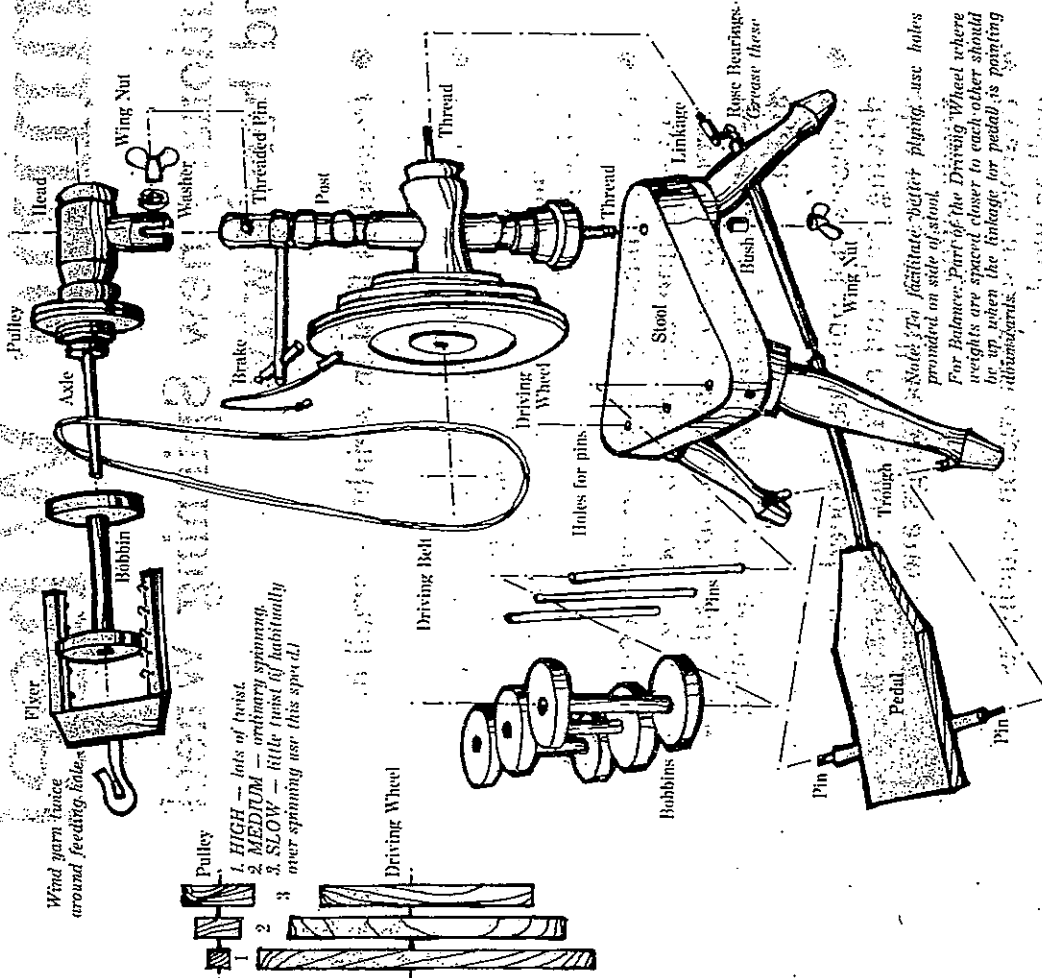
- Peacock is light in weight — small in size.
- Peacock can be dismantled quickly and packed in a travelling bag. It's the original "go everywhere" Spinning Wheel.
- Peacock has 3 spinning speeds. You can spin fine lace weight wool right through to lovely jumbo yarn and you'll never have trouble with over spinning again.
- Peacock not only has 3 speeds, one driving belt and extra big bobbins, it also runs on ball bearings and never needs oiling.
- Peacock also spins cotton equally as well as wool.
- Peacock is beautifully made and shaped from deep oiled New Zealand Rimu. It makes a truly elegant furniture piece in any setting.
- Peacock Spinning Wheel is a new twist to an old yarn.

Peacock Spinning Wheel is a new twist to an old yarn.

Peacock Spinning Wheel is a new twist to an old yarn.



“Spinner of yarns”



The Peacock Spinning Wheel
It'll never pull the wool over your eyes.

YOUR LOCAL STOCKIST IS:
K. Fomotor
 P.O. Box 43061
Wainuiomata, N.Z.
 Phone 646-647

or
K. Fomotor,
 P.O. Box 43-061, Wainuiomata,
 Wellington.
 Phone: 646-647